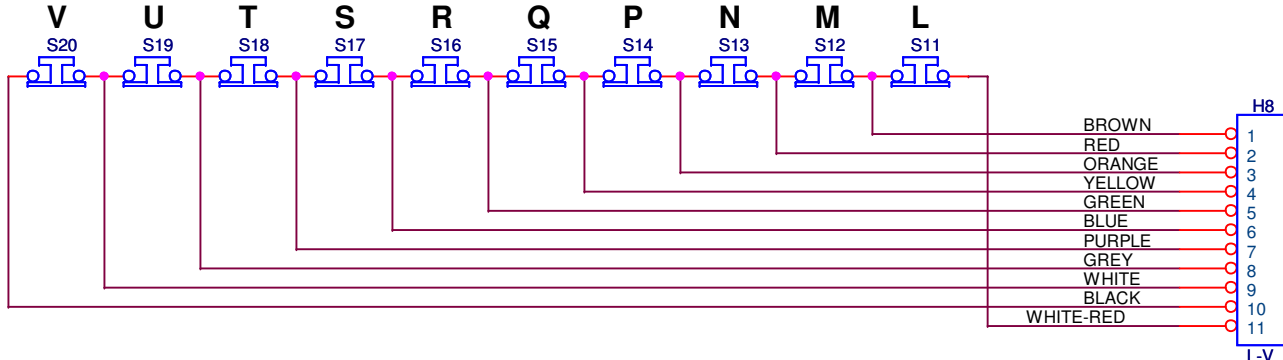
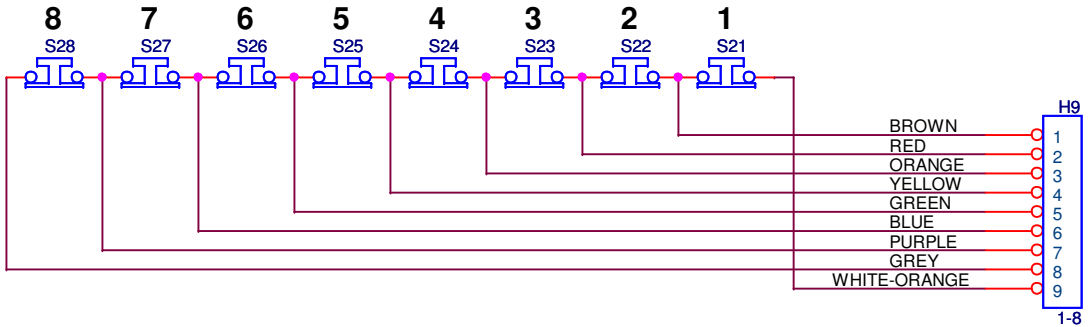


xxxxxx11	11111111	BROWN	+1	A
xxxxxx11	11111110	RED	+2	B
xxxxxx11	11111100	ORANGE	+3	C
xxxxxx11	11111000	YELLOW	+4	D
xxxxxx11	11110000	GREEN	+5	E
xxxxxx11	11100000	BLUE	+6	F
xxxxxx11	11000000	PURPLE	+7	G
xxxxxx11	10000000	GREY	+8	H
xxxxxx11	00000000	WHITE	+9	J
xxxxxx10	00000000	BLACK	+10	K



xxxxxx11	11111111	BROWN	+11	L
xxxxxx11	11111110	RED	+12	M
xxxxxx11	11111100	ORANGE	+13	N
xxxxxx11	11111000	YELLOW	+14	P
xxxxxx11	11110000	GREEN	+15	Q
xxxxxx11	11100000	BLUE	+16	R
xxxxxx11	11000000	PURPLE	+17	S
xxxxxx11	10000000	GREY	+18	T
xxxxxx11	00000000	WHITE	+19	U
xxxxxx10	00000000	BLACK	+20	V



xxxxxx11	11111111	BROWN	+ 0	1
xxxxxx11	11111110	RED	+ 20	2
xxxxxx11	11111100	ORANGE	+ 40	3
xxxxxx11	11111000	YELLOW	+ 60	4
xxxxxx11	11110000	GREEN	+ 80	5
xxxxxx11	11100000	BLUE	+100	6
xxxxxx11	11000000	PURPLE	+120	7
xxxxxx11	10000000	GREY	+140	8

Example: 4Q = 15 + 60 will call 00075xxxx.MP3
 1T = 18 + 0 will call 00018xxxx.MP3