

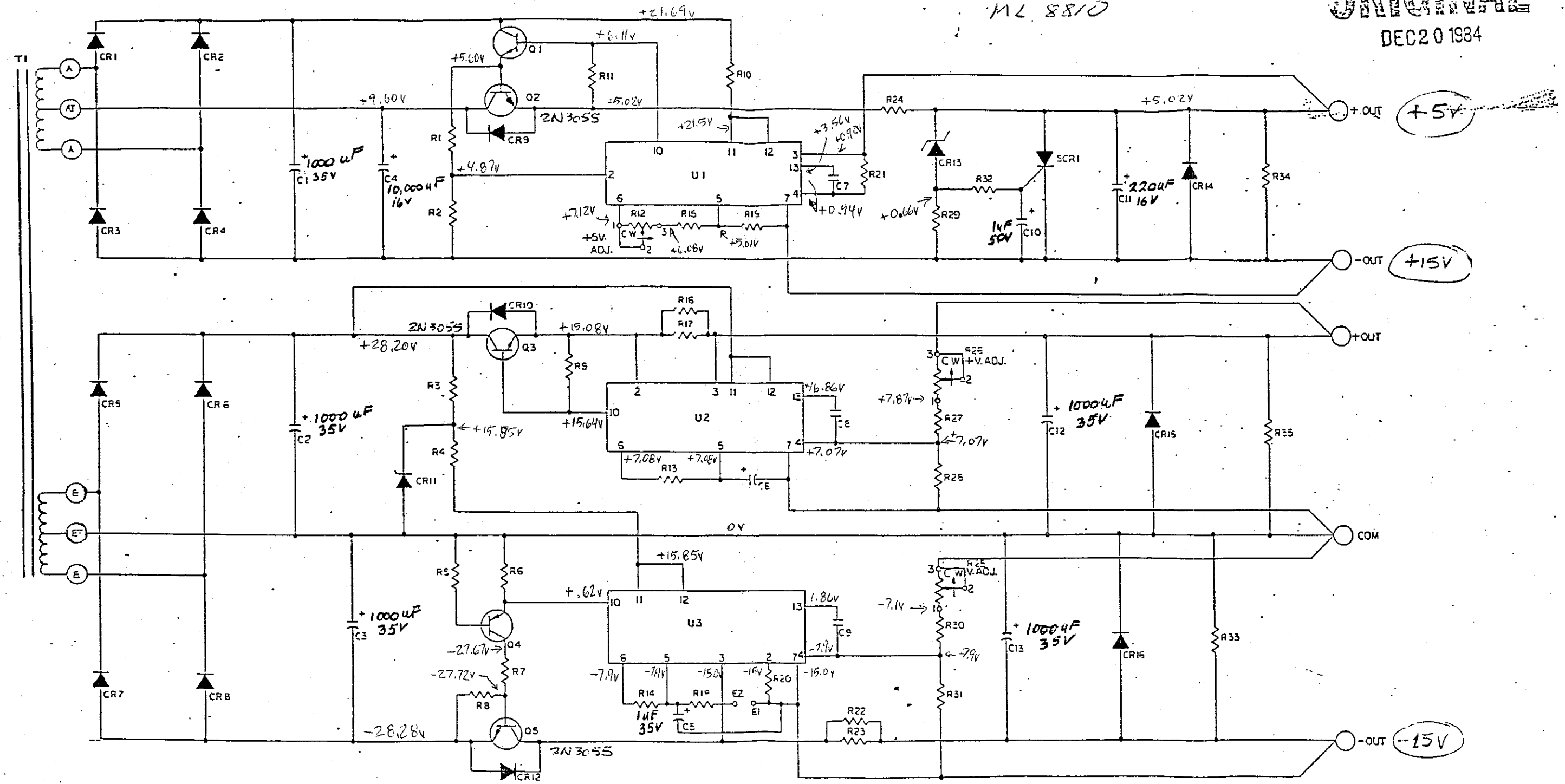
REVISIONS		DATE	APPROVED
ECO	LTR		
55-71A	RELEASE		

ORIGINAL

DEC 20 1984

ML 8810

500 92 NDC



* attention aux VIS
 qui retiennent
 les transistors 2N 3055

FOR PARTS LIST SEE P/L 53031-1

FOR PARTS LIST DASH NUMBER SEE APPROPRIATE MODEL MOL.
 NOTES: UNLESS OTHERWISE SPECIFIED

LAST REFERENCE DESIGNATION USED		PARTS LIST	
C 13	ICR 16	IC 5	R 35
SCR 1	11		IE
	NOT USED		
		HTAA-1AV-4	
		USED ON	
		APPLICATION	

QTY	ITEM	PART OR IDENTIFYING NO.	NOMENCLATURE OR DESCRIPTION	POWER-ONE STD #/M
			PARTS LIST	
TOLERANCE .XX = .020 .XX2 = .010		CONTRACT NO.		POWER-ONE CAMARILLO, CALIF. 93010 3031484-2304
APPROVALS		DATE	TITLE	
[Signature]		2-8-83	SCHEMATIC	
[Signature]		2-8-83		
[Signature]		2-8-83		
APPROVED			SIZE	CODE IDENT NO. / DRAWING NO.
[Signature]			D	54407 / 53031
			SCALE	SHEET 1 OF 1