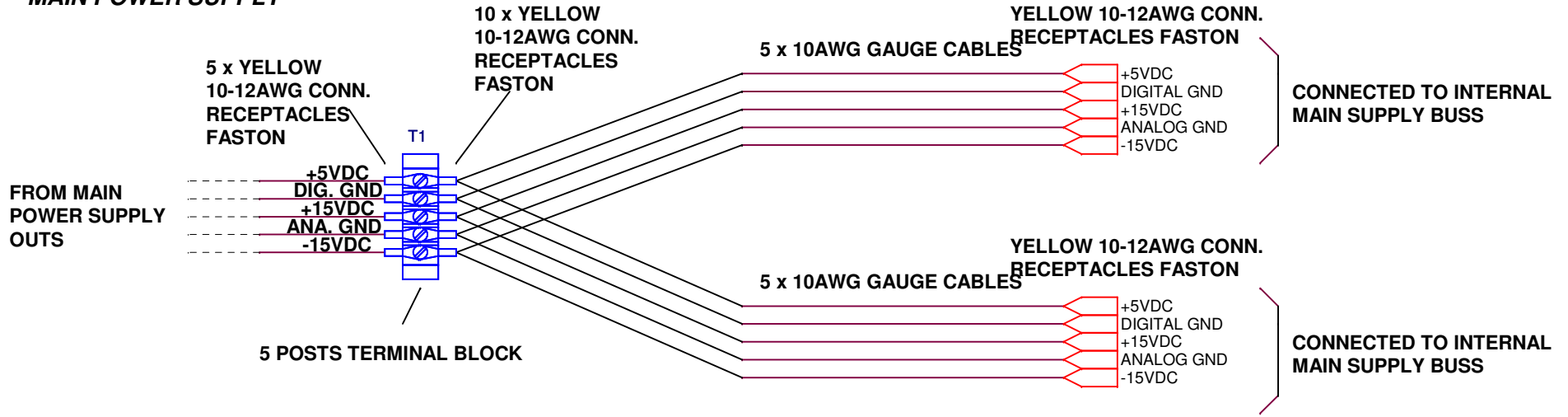
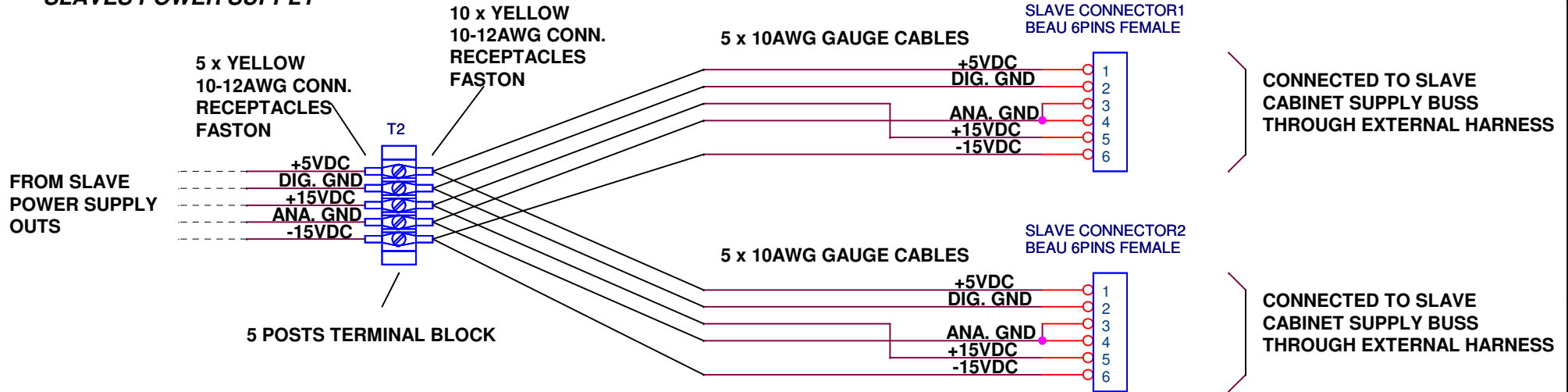


**MAIN POWER SUPPLY**



**SLAVES POWER SUPPLY**



|                                     |                           |              |
|-------------------------------------|---------------------------|--------------|
| Title                               |                           |              |
| <b>M202 Slave Cabinets Supplies</b> |                           |              |
| Size                                | Document Number           | Rev          |
| A                                   | <b>ArcEnSon</b>           | JPD          |
| Date:                               | Tuesday, January 29, 2013 | Sheet 1 of 1 |