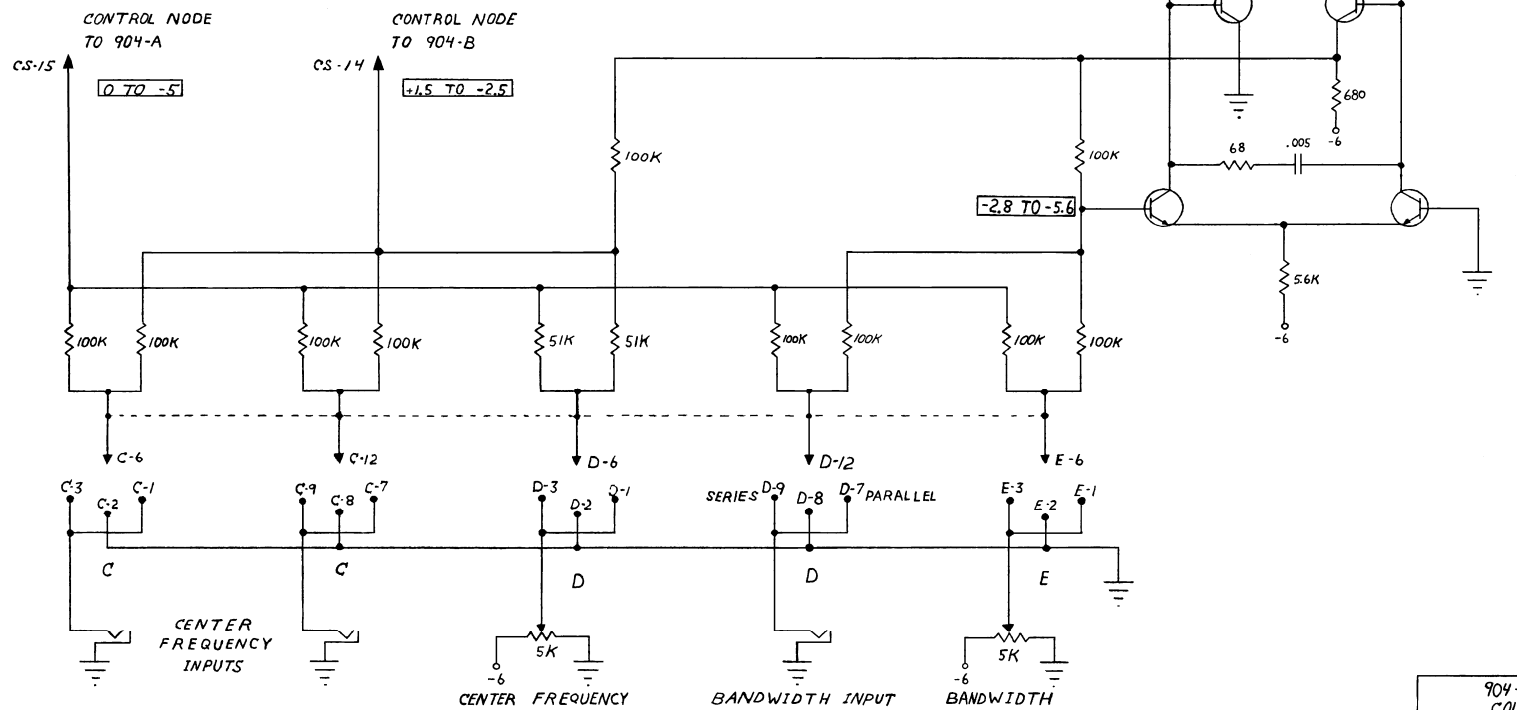


SWITCH FUNCTION
 POSITION THREE ON FRONT PANEL - SERIES (BAND PASS)
 POSITION TWO ON FRONT PANEL - LOW PASS - HIGH PASS
 POSITION ONE ON FRONT PANEL - PARALLEL (BAND REJECT)

TRANSISTORS
 NPN - 2N2926 OR TI 416
 PNP - 2N3702



904-C VOLTAGE CONTROLLED FILTER COUPLER CONTROL CIRCUITRY	
DRAWN BY P.Y.	SCHEMATIC
APPR. BY	
DATE 7-14-67	DRAWING NUMBER 1148 SUPERCEDES NUMBER
R. A. MOOG CO. TRUMANSBURG N.Y.	