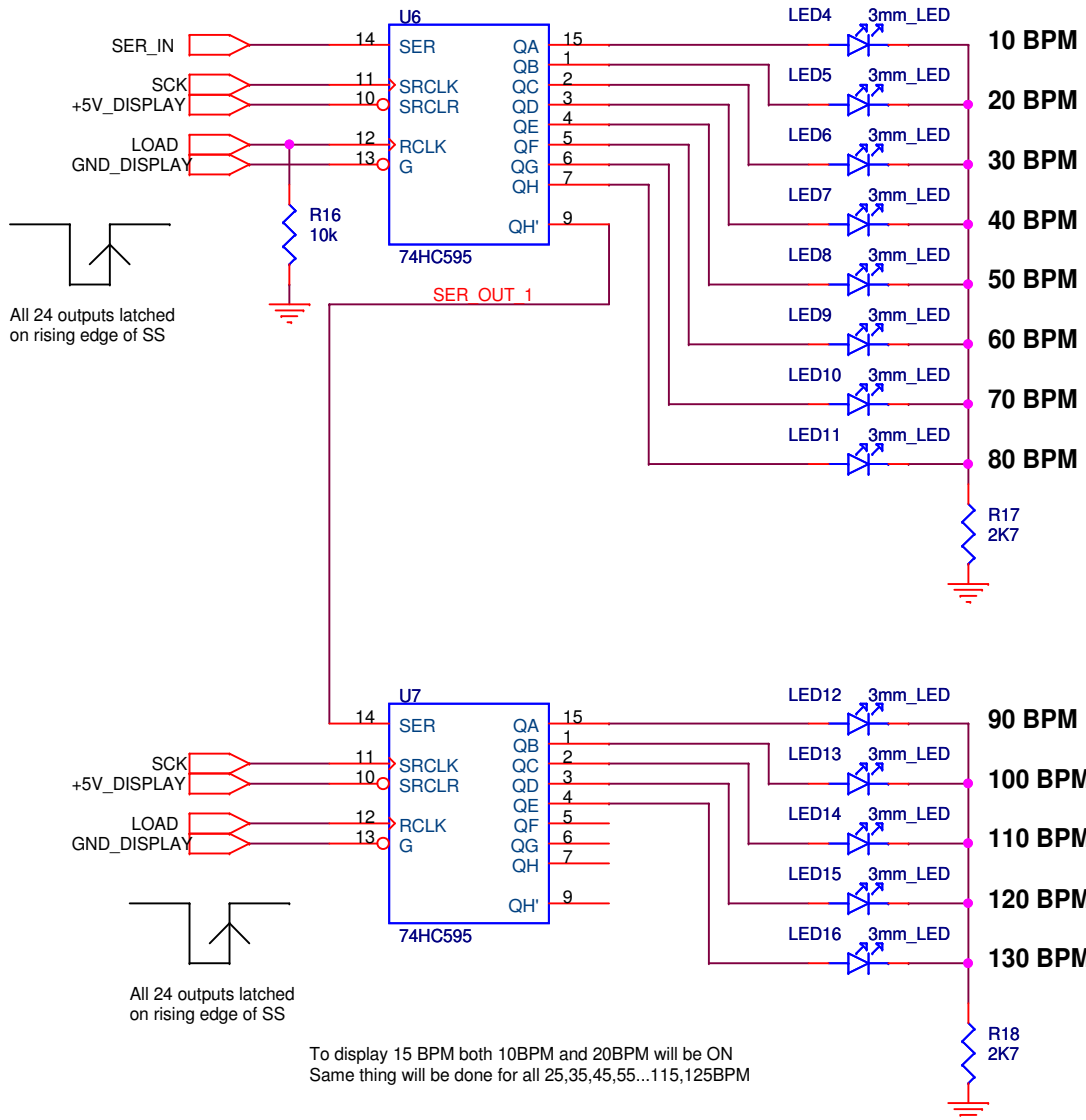
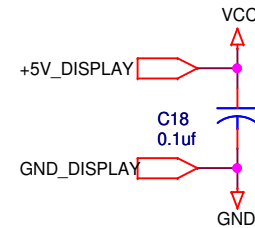


The 10K pull-down resistor on the SS (Slave Select) is designed to keep the registers from clocking in bits while the main processor is booting, and the SS line might be "floating" and in an indeterminate state.



To display 15 BPM both 10BPM and 20BPM will be ON
Same thing will be done for all 25,35,45,55...115,125BPM



Title		
Piano Roll player (10-130 BPM LEDS bar graph)		
Size	Document Number	Rev
	ArcEnSon	JPD
Date:	Thursday, December 01, 2022	Sheet 2 of 13