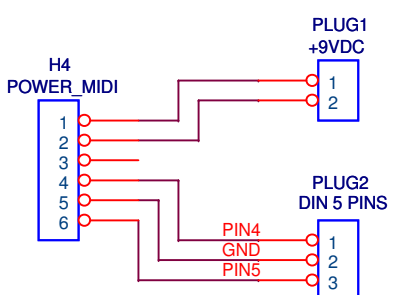
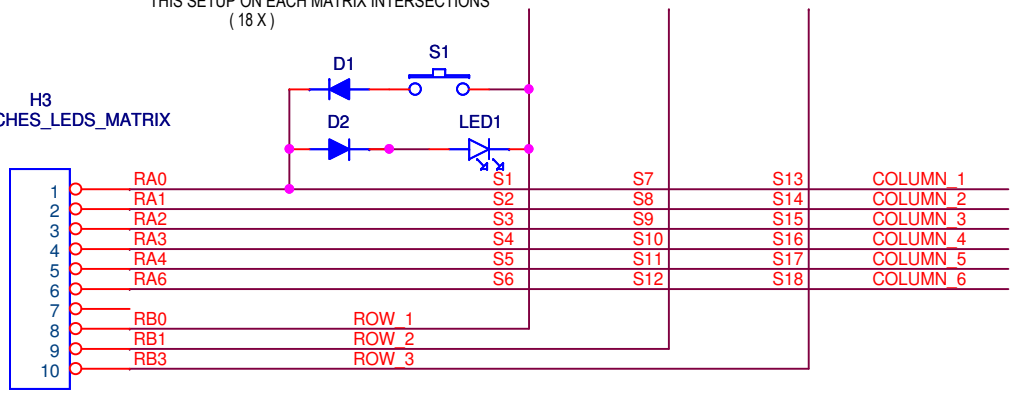


RB2 & RA5 are reserved pins and not used

THIS SETUP ON EACH MATRIX INTERSECTIONS (18 X)

H3 SWITCHES_LEDS_MATRIX



Title		
MIDI Foot Controller		
Size	Document Number	Rev
	ArcEnSon	JPD
Date:	Sunday, April 17, 2016	Sheet 1 of 1