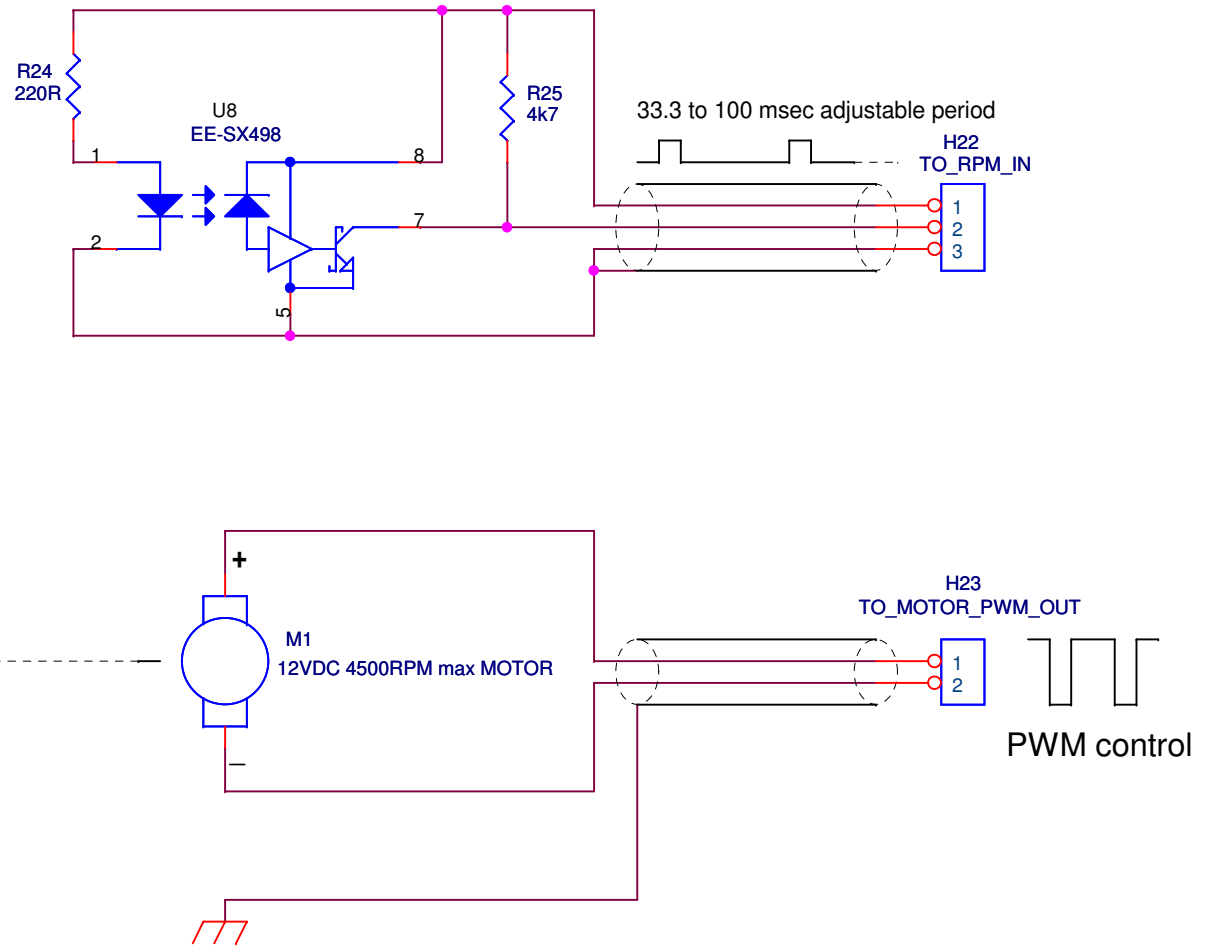
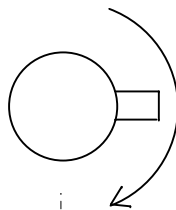


30 turns per second max
(Hammond M motor speed 1800RPM)



Connected to Motor metal housing

Title		
Hammond Scanner (Opto-Coupler + Motor)		
Size A	Document Number www.arcenson.com 2015	Rev JPD
Date:	Thursday, November 09, 2017	Sheet 1 of 1